

HITACHI
Inspire the Next

**HITACHI PACKAGED AIR CONDITIONERS
WATER-COOLED TYPE**

日立水冷式箱型空調機



Models :

Free-Blow Type

直吹型

RP-3W5

RP-4W5

RP-5W5

RP-8W5

RP-10W5

RP-15W5

Duct-Connection Type

風管型

RP-5WL5

RP-8WL5

RP-10WL5

RP-15WL5

RP-20WL5

RP-25WL5

RP-30WL5

RP-40WL5

Nominal Capacity Range

額定容量範圍

8,000 kcal/h to 100,000 kcal/h at 50Hz

9,300 W to 116,300 W at 50Hz

31,700 Btu/h to 396,800 Btu/h at 50Hz

9,000 kcal/h to 112,000 kcal/h at 60Hz

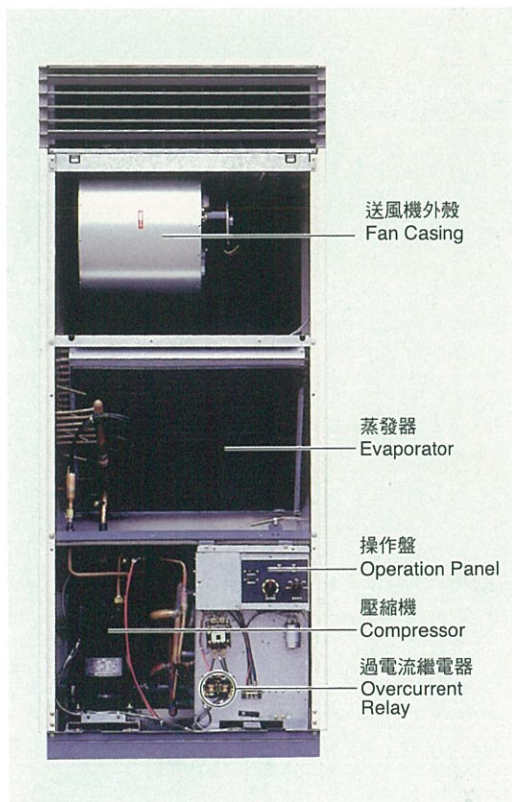
10,500 W to 130,300 W at 60Hz

35,700 Btu/h to 444,400 Btu/h at 60Hz

STREAM LINED SHAPE AND TOP OF THE LINE PERFORMANCE PERFECTED WITH A HIGH-EFFICIENCY COMPONENTS

HITACHI has developed packaged air conditioners <water-cooled type> with a sleek new look. In addition to excellent performance providing high efficiency, high reliability and low noise, the design has been upgraded. Moreover, a slim design has further relaxed restrictions on installation. The air conditioners of this type are available for use in factories, shopping center, offices, restaurants, karaoke bars, super markets and similar places. An extensive lineup features 3 to 40 horsepower models. All horsepower models adopt a high efficiency scroll compressor. Users can choose the optimum model according to applications or purposes.

日立水冷式箱型空調機，除了具有流線型美觀的設計外，它優越的品質更是備受肯定，為了提升產品性能，在設計上更要求高效率、低噪音及高信賴度。除此之外，更精巧地減少安裝空間的限制，無論是工廠、購物中心、辦公室、餐廳、卡拉OK俱樂部或超級市場等類似場所均適用。日立水冷式箱型的機型包括3~40匹馬力，全系列的機型都採用了渦卷式壓縮機，顧客可依自己的需求選擇最適合的機型，搭配使用。



FEATURES

1. Full line models, all new function, slim design.
2. Low noise and low vibration.
3. Easy installation.
 - (1) Easy change of Free-Blow type and Duct-connection type.
 - (2) Remote Control (For Special Order).
 - (3) Ensure the Space for optional electrical parts.
4. Easy Maintenance.
 - (1) Failure alarm (Standard Equipment).
 - (2) Air filter.

OPTIONAL PARTS

1. A electric heater, a hot water heater, a steam heater.
2. A humidifier.
3. Long life air filter

特點

1. 機種齊全，全新功能，流線型設計
2. 低噪音、低振動
3. 安裝容易
 - (1) 直吹型、風管型互換容易
 - (2) 遠方操作（特殊受注）
 - (3) 選購配件之安裝空間增大
4. 保養容易
 - (1) 故障顯示燈（標準配備）
 - (2) 空氣濾網

選購配件

1. 電氣加熱器、溫水加熱器、蒸氣加熱器
2. 加濕器
3. 長壽命空氣濾網

GENERAL DATA (一般規格)

FREE-BLOW TYPE (直吹型)

Item (unit)			Model	RP-3W5	RP-4W5	RP-5W5	RP-8W5	RP-10W5	RP-15W5	
Nominal Cooling Capacity*	50Hz	kcal/h		8,000	10,000	14,000	21,000	28,000	42,000	
		W		9,300	11,600	16,300	24,400	32,600	48,800	
	60Hz	Btu/h		31,700	39,700	55,600	83,300	111,100	166,700	
		kcal/h		9,000	11,200	15,000	22,500	30,000	45,000	
Capacity Control	%	W		10,500	13,000	17,400	26,200	34,900	52,300	
		Btu/h		35,700	44,400	59,500	89,300	119,000	178,600	
Cabinet Color			Synthetic Resin Paint Baked on Finished Steel Plates							
Front Panel, Side Panel (MUNSELL Code)			Beige (2.5Y 8/2)	Beige (2.5Y 8/2)	Beige (2.5Y 8/2)	Beige (2.5Y 8/2)	Beige (2.5Y 8/2)	Beige (2.5Y 8/2)	Beige (2.5Y 8/2)	
Air Outlet Grill (MUNSELL Code)			Gray (2.5Y 4.5/0.7)	Gray (2.5Y 4.5/0.7)	Gray (2.5Y 4.5/0.7)	Gray (2.5Y 4.5/0.7)	Gray (2.5Y 4.5/0.7)	Gray (2.5Y 4.5/0.7)	Beige (2.5Y 8/2)	
Outer Dimensions	Height	mm (in.)	1,750 (68-7/8)	1,750 (68-7/8)	1,950 (76-3/4)	1,950 (76-3/4)	1,950 (76-3/4)	1,950 (76-3/4)	2,150 (84-11/16)	
	Width	mm (in.)	650 (25-5/8)	650 (25-5/8)	800 (31-1/2)	1,100 (43-5/16)	1,400 (55-1/8)	1,400 (55-1/8)	1,400 (55-1/8)	
	Depth	mm (in.)	450 (17-3/4)	450 (17-3/4)	500 (19-11/16)	500 (19-11/16)	500 (19-11/16)	500 (19-11/16)	750 (29-1/2)	
Net Weight		kg (lbs.)	120 (265)	130 (287)	160 (353)	270 (595)	305 (672)	305 (672)	460 (1,014)	
Refrigerant**			R-22	R-22	R-22	R-22	R-22	R-22	R-22	
Flow Control			CPT	CPT	CPT	CPT	CPT	CPT	CPT	
Number of Circuits			1	1	1	1	1	1	2	
Compressor Type			Hermetic	Hermetic	Hermetic	Hermetic	Hermetic	Hermetic	Hermetic	
Quantity			1	1	1	1	1	1	1+1	
Evaporator			Multi-Pass Cross-Finned Tube							
Condenser			Coiled Double Tube							
Evaporator Fan			Multi-Blade Centrifugal Fan							
Nominal Air (Hi/Lo)	m ³ /min (cfm)		28/25 (989/883)	36/32 (1,271/1,130)	44/38 (1,554/1,342)	66 (2,330)	88 (3,108)	130 (4,590)		
			0.47/0.42 (0.12)	0.60/0.53 (0.16)	0.73/0.63 (0.17)	1.1 (0.33)	1.47 (0.40)	2.17 (0.62)		
Motor	kW (HP)		0.09 (0.12)	0.12 (0.16)	0.13 (0.17)	0.25 (0.33)	0.30 (0.40)	0.30 (0.40)	0.5 (0.67)	
Quantity			1	1	1	1	1	1	1	
Connections			Female Piping Thread Screw (Prepared on Both Sides)							
Condenser Water										
Size	Inlet	FPT	1	1	1-1/4	1-1/2	1-1/2	1-1/2	2	
	Outlet	FPT	1	1	1-1/4	1-1/2	1-1/2	1-1/2	2	
Condensate Drain			Female Piping Thread Screw (Prepared on Both Sides)							
Size	FPT		1	1	1	1	1	1	1	
Emergency Drain			Female Piping Thread Screw (Prepared on Both Sides)							
Size	FPT		1/2	1/2	1/2	1/2	1/2	1/2	1/2	
Wiring Hole			Knock Out Hole (Prepared on Both Sides)							
Size	mm (in.)		32.5 (1-1/4)	32.5 (1-1/4)	40.5 (1-5/8)	40.5 (1-5/8)	40.5 (1-5/8)	62 (2-7/16)		
Approximate Packing List										
Shipping Weight	kg		160 (353)	170 (375)	205 (452)	320 (705)	365 (804)	490 (1,080)	40 (88)	
	(lbs.)									
Height	mm		1,925 (75-13/16)	1,925 (75-13/16)	2,125 (83-5/8)	2,125 (83-5/8)	2,125 (83-5/8)	2,070 (81-1/2)	460 (18-1/8)	
	(in.)									
Width	mm		764 (30-1/16)	764 (30-1/16)	914 (36)	1,214 (47-13/16)	1,514 (59-5/8)	1,510 (59-7/16)	1,480 (58-9/32)	
	(in.)									
Depth	mm		578 (22-3/4)	578 (22-3/4)	628 (24-3/4)	628 (24-3/4)	628 (24-3/4)	880 (34-5/8)	850 (33-13/32)	
	(in.)									
Measurements			m ³	0.85	0.85	1.22	1.62	2.02	2.75	0.58

CPT : Capillary Tube

Notes:

- * The nominal cooling capacity is based on the standard of JIS B8616-1999

Evaporator Air Inlet Temperature: 27°C DB (80.6°F DB)
19°C WB (66.2°F WB)
Condenser Water Inlet Temperature: 30°C (86°F)
Condenser Water Outlet Temperature: 35°C (95°F)

- ** Factory-Charged

Working Range:

Evaporator Air Inlet Temperature at Standard Air Flow :
Maximum : 32°C DB/23°C WB (89.6°F DB/73.4°F WB)
Minimum : 21°C DB/15°C WB (69.8°F DB/59.0°F WB)
Condenser Water Outlet Temperature:
Maximum : 38°C (100.4°F)
Minimum : 21°C (69.8°F)

Standard Power Supply

Main (3φ)	Control (1φ)
220V 60Hz	220V 60Hz
220V 50Hz	220V 50Hz
380V 50Hz	220V 50Hz
415V 50Hz	240V 50Hz

DUCT-CONNECTION TYPE (風管型)

Item (unit)			Model	RP-5WL5	RP-8WL5	RP-10WL5	RP-15WL5	RP-20WL5	RP-25WL5	RP-30WL5	RP-40WL5
Nominal Cooling Capacity*	50Hz	kcal/h		14,000	21,000	28,000	42,000	56,000	70,000	84,000	100,000
		W		16,300	24,400	32,600	48,800	65,100	81,400	97,700	116,300
		Btu/h		55,600	83,300	111,100	166,700	222,200	277,800	333,300	396,800
	60Hz	kcal/h		15,000	22,500	30,000	45,000	60,000	75,000	90,000	112,000
		W		17,400	26,200	34,900	52,300	69,800	87,200	104,700	130,300
		Btu/h		59,500	89,300	119,000	178,600	238,100	297,600	357,100	444,400
Capacity Control			%	100.0	100.0	100.0	100.63.0	100.50.0	100.50.0	100.67,33.0	100.67,33.0
Cabinet Color			Synthetic Resin Paint Baked on Finished Steel Plates								
Front Panel, Side Panel (MUNSELL Code)			Beige (2.5Y 8/2)	Beige (2.5Y 8/2)	Beige (2.5Y 8/2)	Beige (2.5Y 8/2)	Beige (2.5Y 8/2)	Beige (2.5Y 8/2)	Beige (2.5Y 8/2)	Beige (2.5Y 8/2)	Beige (2.5Y 8/2)
Air Outlet Grill (MUNSELL Code)			---	---	---	---	---	---	---	---	---
Outer Dimensions	Height	mm (in.)	1,730 (68-1/8)	1,730 (68-1/8)	1,730 (68-1/8)	1,850+30 (72-13/16+1-3/16)	1,850+30 (72-13/16+1-3/16)	2,000+30 (78-3/4+1-3/16)	2,000+30 (78-3/4+1-3/16)	2,000+30 (78-3/4+1-3/16)	2,000+30 (78-3/4+1-3/16)
	Width	mm (in.)	800 (31-1/2)	1,100 (43-5/16)	1,400 (55-1/8)	1,400 (55-1/8)	1,700 (66-15/16)	1,700 (66-15/16)	2,000 (78-3/4)	2,000 (78-3/4)	2,000 (78-3/4)
	Depth	mm (in.)	500 (19-11/16)	500 (19-11/16)	500 (19-11/16)	750 (29-1/2)	750 (29-1/2)	900+65 (35-7/16+2-9/16)	900+65 (35-7/16+2-9/16)	900+65 (35-7/16+2-9/16)	1,270+65 (50+2-9/16)
Net Weight		kg (lbs.)	150 (331)	260 (573)	290 (639)	445 (981)	590 (1,300)	700 (1,543)	885 (1,951)	1,200 (2,643)	
Refrigerant**			R-22	R-22	R-22	R-22	R-22	R-22	R-22	R-22	R-22
Flow Control			CPT	CPT	CPT	CPT	CPT	CPT	CPT	CPT	CPT
Number of Circuits			1	1	1	2	2	2	3	3	3
Compressor Type			Hermetic Scroll	Hermetic Scroll	Hermetic Scroll	Hermetic Scroll	Hermetic Scroll	Hermetic Scroll	Hermetic Scroll	Hermetic Scroll	Hermetic Scroll
Quantity			1	1	1	1+1	2	2	3	3	3
Evaporator			Multi-Pass Cross-Finned Tube								
Condenser			Coiled Double Tube								Shell-and-Tube Type
Evaporator Fan			Multi-Blade Centrifugal Fan								
Nominal Air Flow	m ³ /min (cfm)	m ³ /s	44 (1,554)	66 (2,330)	88 (3,108)	130 (4,590)	180 (6,360)	220 (7,770)	260 (9,180)	360 (12,700)	
		kW (HP)	0.28 (0.37)	0.35 (0.5)	0.60 (0.8)	2.2 (3)	3.7 (5)	3.7 (5)	5.5 (7.5)	7.5 (10)	
Quantity			1	1	1	1	1	1	1	1	
Connections			Female Piping Thread Screw (Prepared on Both Sides)								
Condenser Water	Inlet	FPT	1-1/4	1-1/2	1-1/2	2	2	2-1/2	2-1/2	2-1/2	
	Outlet	FPT	1-1/4	1-1/2	1-1/2	2	2	2-1/2	2-1/2	2-1/2	
Condensate Drain			Female Piping Thread Screw (Prepared on Both Sides)								
Size	FPT		1	1	1	1	1	1	1	1	
Emergency Drain			Female Piping Thread Screw (Prepared on Both Sides)								
Size	FPT		1/2	1/2	1/2	1/2	1/2	1/2	1/2	1/2	
Wiring Hole			Knock Out Hole (Prepared on Both Sides)								
Size	mm (in.)		40.5 (1-5/8)	40.5 (1-5/8)	40.5 (1-5/8)	62 (2-7/16)	62 (2-7/16)	62 (2-7/16)	62 (2-7/16)	80 (3-1/8)	
Approximate Packing List Shipping Weight			kg (lbs.)	195 (430)	300 (661)	345 (760)	490 (1,080)	675 (1,488)	810 (1,786)	1,005 (2,216)	1,290 (2,841)
Height	mm (in.)		1,905 (75)	1,905 (75)	1,905 (75)	2,070 (81-1/2)	2,070 (81-1/2)	2,225 (87-5/8)	2,225 (87-5/8)	2,225 (87-5/8)	
	Width	mm (in.)	914 (36)	1,214 (47-13/16)	1,514 (59-5/8)	1,510 (59-7/16)	1,810 (71-1/4)	1,860 (73-1/4)	2,160 (85-1/16)	2,160 (85-1/16)	
Depth	mm (in.)		628 (24-3/4)	628 (24-3/4)	628 (24-3/4)	880 (34-5/8)	880 (34-5/8)	1,105 (43-1/2)	1,105 (43-1/2)	1,475 (58-1/16)	
	Measurements	m ³	1.09	1.45	1.81	2.75	3.30	4.57	5.31	7.09	

CPT : 毛细管

註記 :

- * 額定冷氣能力是依據 JIS B8616-1999 規格冷氣條件 :
 蒸發器吸入空氣溫度 : 27°CDB (80.6°FDB)
 19°CWB (66.2°FWB)
 冷凝器冷卻水入口溫度 : 30°C (86°F)
 冷凝器冷卻水出口溫度 : 35°C (95°F)

2. ** 工廠充填

運轉範圍 :

- 蒸發器吸入空氣溫度 (標準風量時) :
- 最高 : 32°CDB / 23°CWB (89.6°FDB / 73.4°FWB)
 最低 : 21°CDB / 15°CWB (69.8°FDB / 59.0°FWB)
- 冷凝器冷卻水出口溫度 :
- 最高 : 38°C (100.4°F)
 最低 : 21°C (69.8°F)

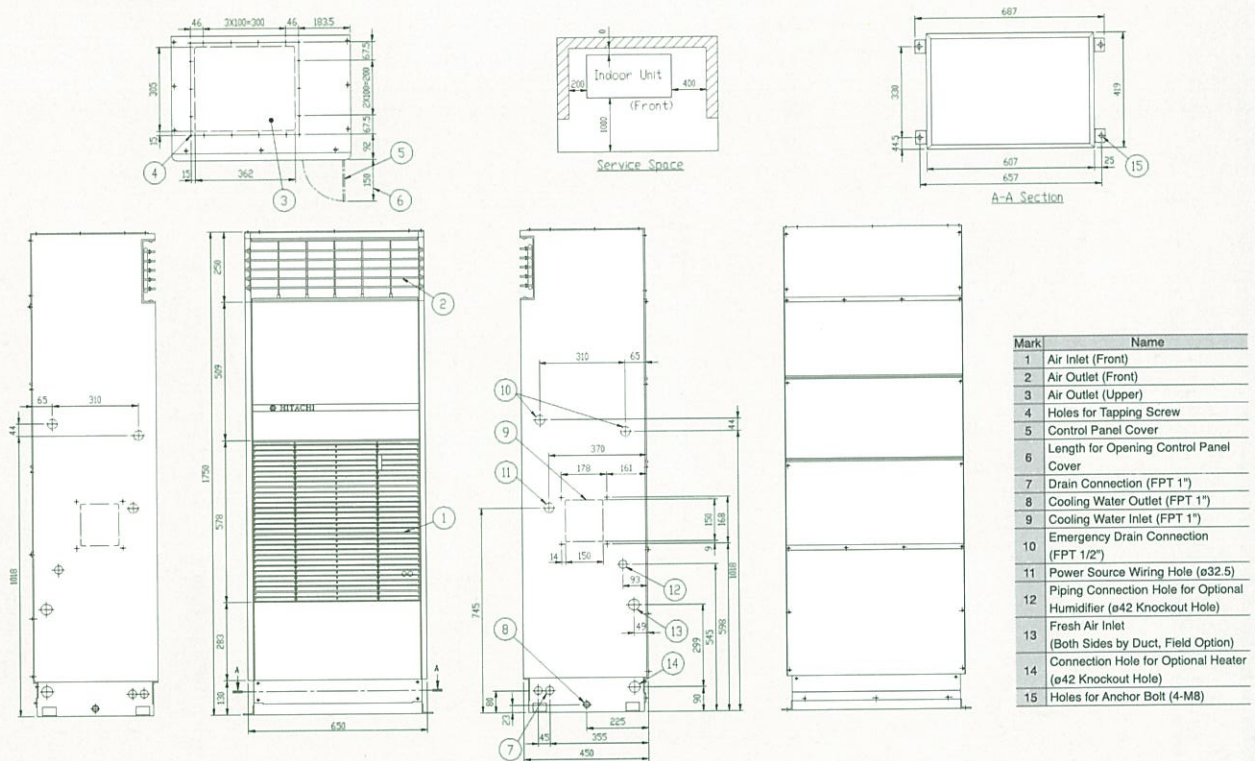
標準電源

主回路 (3φ)	操作回路 (1φ)
220V 60Hz	220V 60Hz
220V 50Hz	220V 50Hz
380V 50Hz	220V 50Hz
415V 50Hz	240V 50Hz

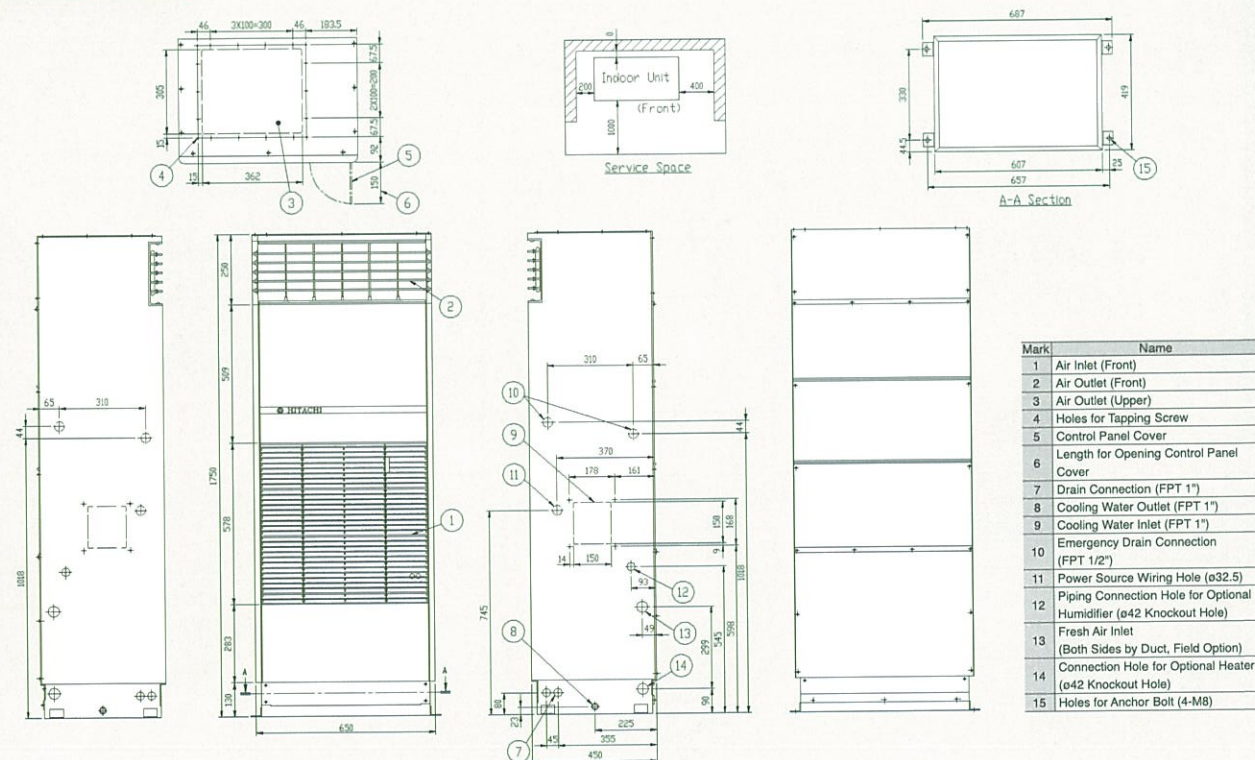
DIMENSION (外觀尺寸)

FREE-BLOW TYPE (直吹型)

RP-3W5

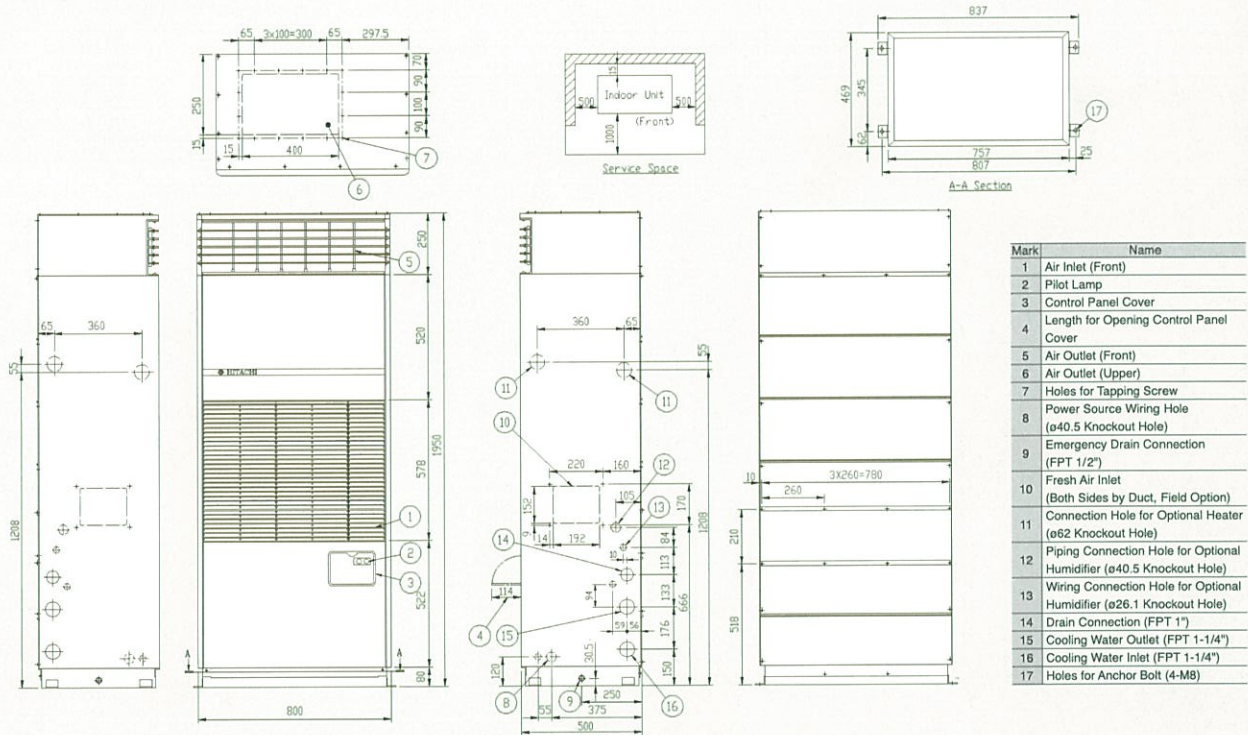


RP-4W5

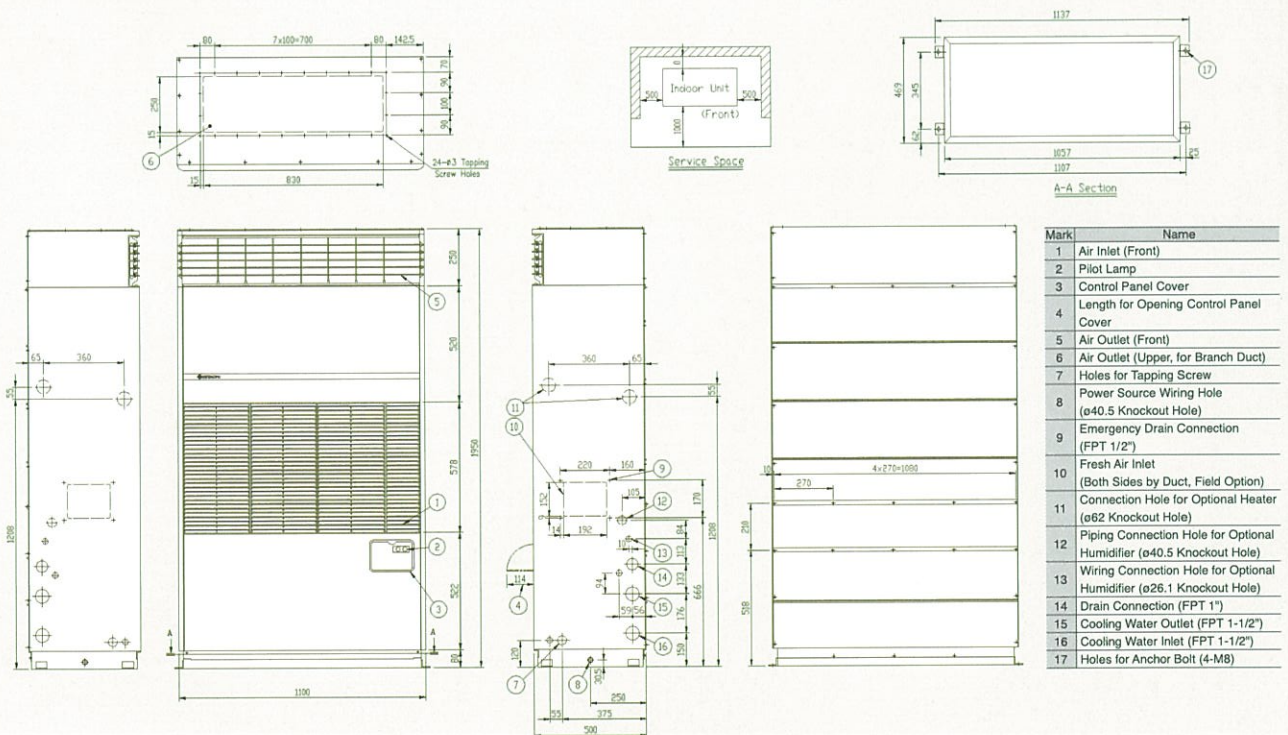


FREE-BLOW TYPE (直吹型)

RP-5W5

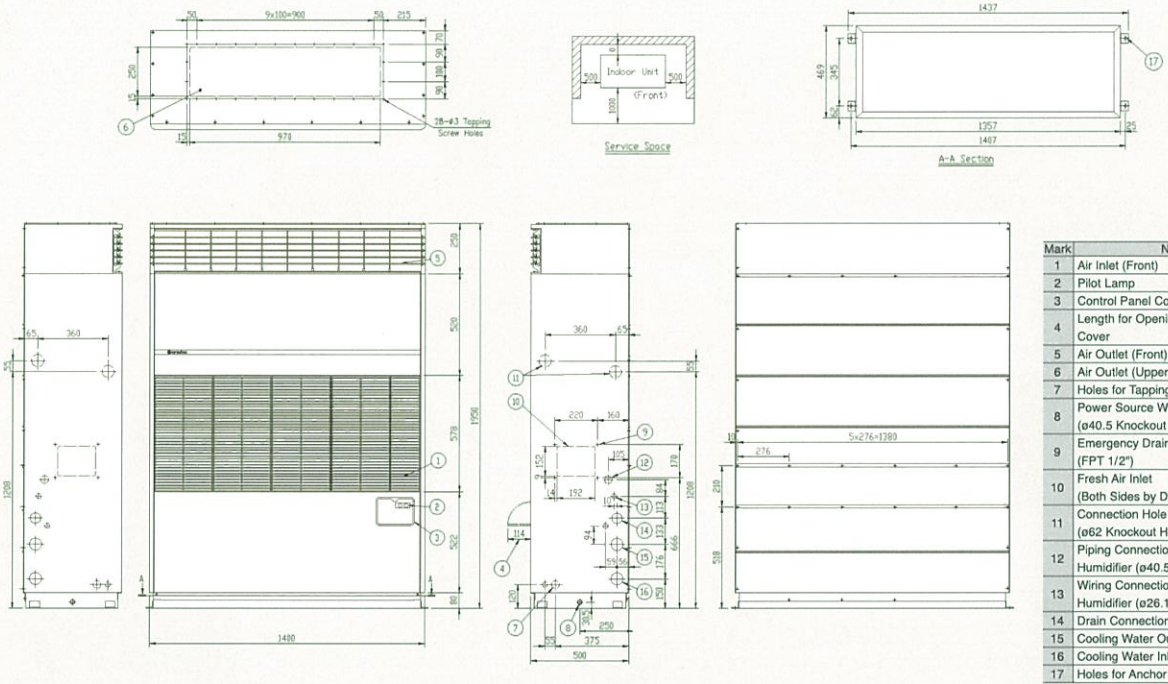


RP-8W5



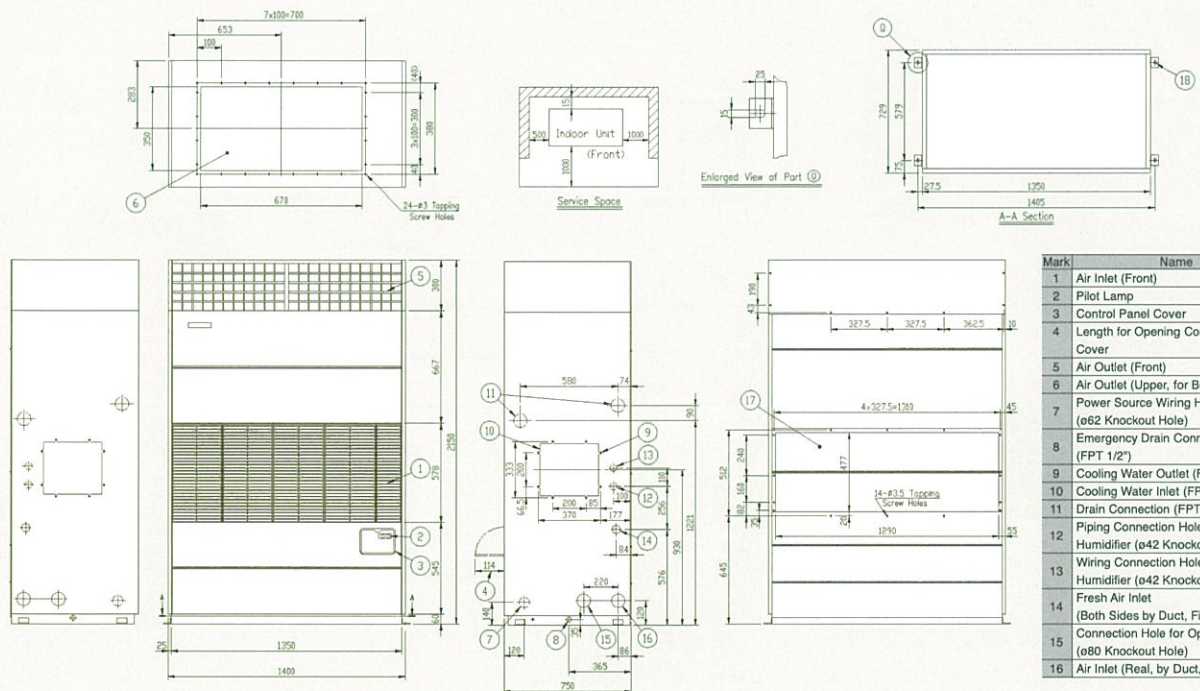
FREE-BLOW TYPE (直吹型)

RP-10W5



Mark	Name
1	Air Inlet (Front)
2	Pilot Lamp
3	Control Panel Cover
4	Length for Opening Control Panel Cover
5	Air Outlet (Front)
6	Air Outlet (Upper, for Branch Duct)
7	Holes for Tapping Screw
8	Power Source Wiring Hole (ø40.5 Knockout Hole)
9	Emergency Drain Connection (FPT 1/2")
10	Fresh Air Inlet (Both Sides by Duct, Field Option)
11	Connection Hole for Optional Heater (ø62 Knockout Hole)
12	Piping Connection Hole for Optional Humidifier (ø40.5 Knockout Hole)
13	Wiring Connection Hole for Optional Humidifier (ø26.1 Knockout Hole)
14	Drain Connection (FPT 1")
15	Cooling Water Outlet (FPT 1-1/2")
16	Cooling Water Inlet (FPT 1-1/2")
17	Holes for Anchor Bolt (4-M8)

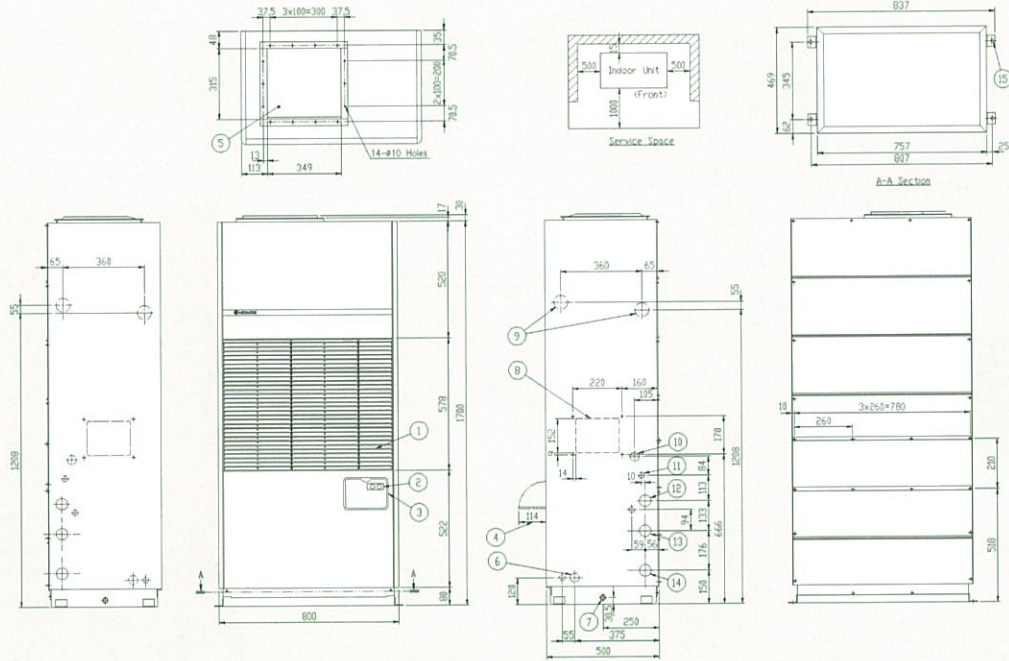
RP-15W5



Mark	Name
1	Air Inlet (Front)
2	Pilot Lamp
3	Control Panel Cover
4	Length for Opening Control Panel Cover
5	Air Outlet (Front)
6	Air Outlet (Upper, for Branch Duct)
7	Power Source Wiring Hole (ø62 Knockout Hole)
8	Emergency Drain Connection (FPT 1/2")
9	Cooling Water Outlet (FPT 2")
10	Cooling Water Inlet (FPT 2")
11	Drain Connection (FPT 1")
12	Piping Connection Hole for Optional Humidifier (ø42 Knockout Hole)
13	Wiring Connection Hole for Optional Humidifier (ø42 Knockout Hole)
14	Fresh Air Inlet (Both Sides by Duct, Field Option)
15	Connection Hole for Optional Heater (ø80 Knockout Hole)
16	Air Inlet (Real, by Duct, Field Option)

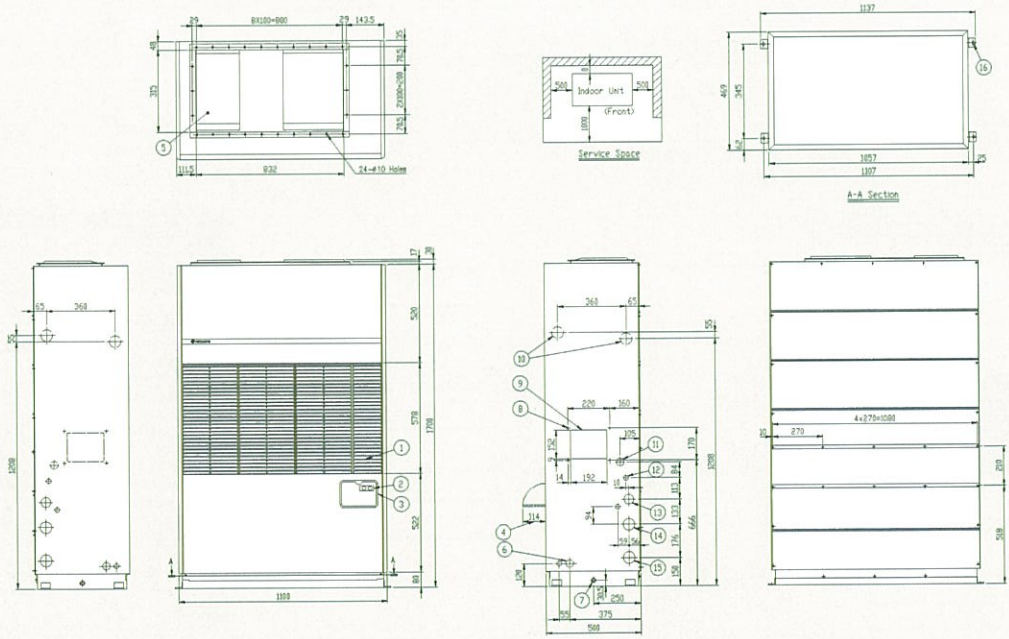
DUCT-CONNECTION TYPE (风管型)

RP-5WL5



Mark	Name
1	Air Inlet (Front)
2	Pilot Lamp
3	Control Panel Cover
4	Length for Opening Control Panel Cover
5	Air Outlet (Upper, by Duct)
6	Holes for Tapping Screw
7	Power Source Wiring Hole (φ40.5 Knockout Hole)
8	Emergency Drain Connection (FPT 1/2")
9	Fresh Air Inlet (Both Sides by Duct, Field Option)
10	Connection Hole for Optional Heater (ø62 Knockout Hole)
11	Piping Connection Hole for Optional Humidifier (ø40.5 Knockout Hole)
12	Wiring Connection Hole for Optional Humidifier (ø26.1 Knockout Hole)
13	Drain Connection (FPT 1")
14	Cooling Water Outlet (FPT 1-1/4")
15	Cooling Water Inlet (FPT 1-1/4")
16	Holes for Anchor Bolt (4-M8)

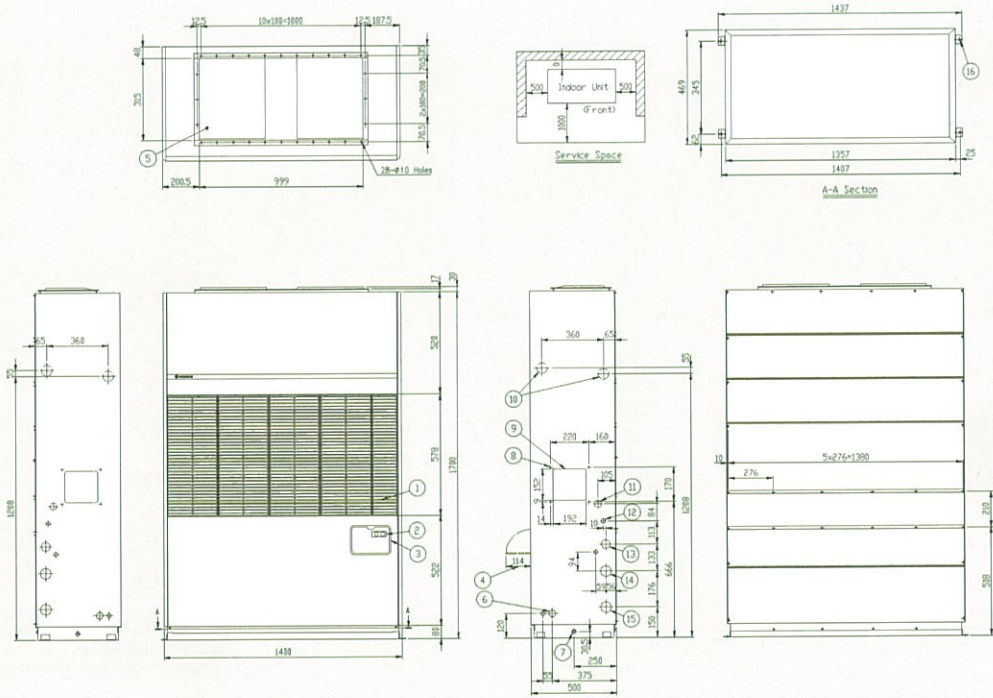
RP-8WL5



Mark	Name
1	Air Inlet (Front)
2	Pilot Lamp
3	Control Panel Cover
4	Length for Opening Control Panel Cover
5	Air Outlet (Upper, by Duct)
6	Holes for Tapping Screw
7	Power Source Wiring Hole (φ40.5 Knockout Hole)
8	Emergency Drain Connection (FPT 1/2")
9	Fresh Air Inlet (Both Sides by Duct, Field Option)
10	Connection Hole for Optional Heater (ø62 Knockout Hole)
11	Piping Connection Hole for Optional Humidifier (ø40.5 Knockout Hole)
12	Wiring Connection Hole for Optional Humidifier (ø26.1 Knockout Hole)
13	Drain Connection (FPT 1")
14	Cooling Water Outlet (FPT 1-1/2")
15	Cooling Water Inlet (FPT 1-1/2")
16	Holes for Anchor Bolt (4-M8)

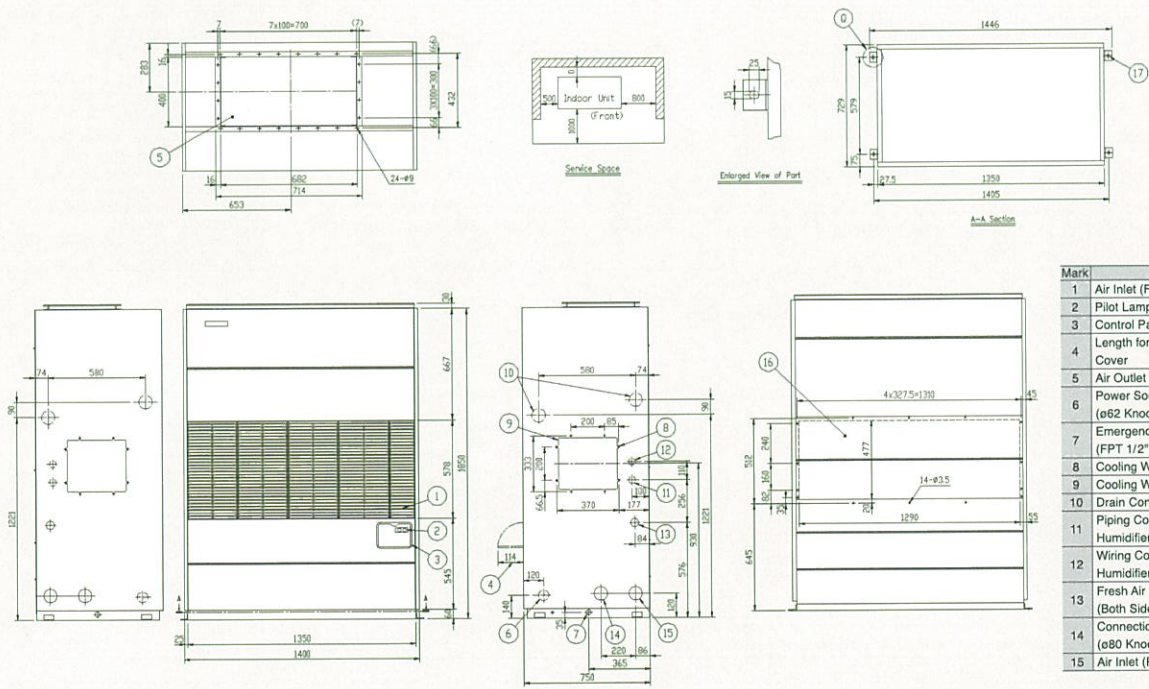
DUCT-CONNECTION TYPE (风管型)

RP-10WL5



Mark	Name
1	Air Inlet (Front)
2	Pilot Lamp
3	Control Panel Cover
4	Length for Opening Control Panel Cover
5	Air Outlet (Upper, by Duct)
6	Holes for Tapping Screw
7	Power Source Wiring Hole (ø40.5 Knockout Hole)
8	Emergency Drain Connection (FPT 1/2")
9	Fresh Air Inlet (Both Sides by Duct, Field Option)
10	Connection Hole for Optional Heater (ø62 Knockout Hole)
11	Piping Connection Hole for Optional Humidifier (ø40.5 Knockout Hole)
12	Wiring Connection Hole for Optional Humidifier (ø26.1 Knockout Hole)
13	Drain Connection (FPT 1")
14	Cooling Water Outlet (FPT 1-1/2")
15	Cooling Water Inlet (FPT 1-1/2")
16	Holes for Anchor Bolt (4-M8)

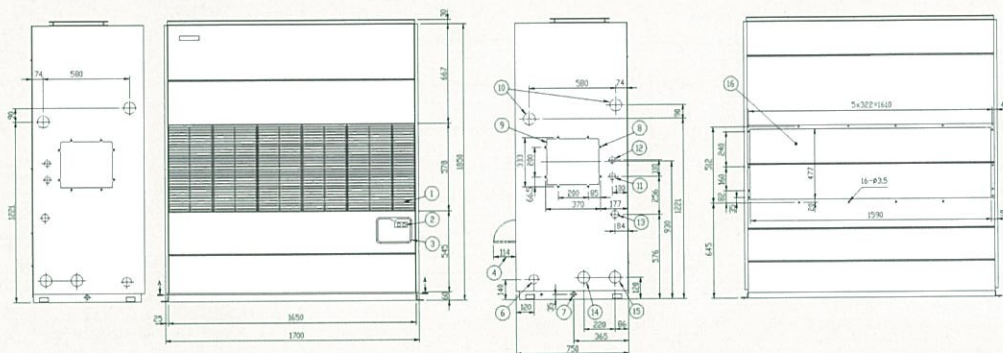
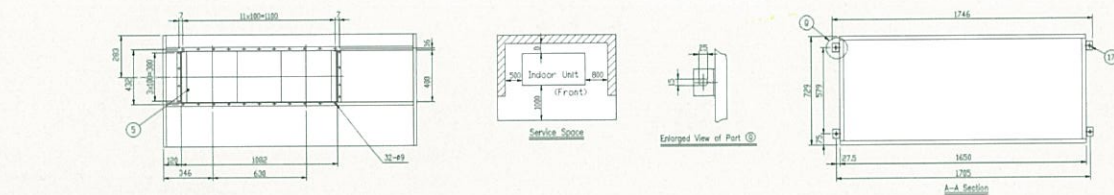
RP-15WL5



Mark	Name
1	Air Inlet (Front)
2	Pilot Lamp
3	Control Panel Cover
4	Length for Opening Control Panel Cover
5	Air Outlet (Upper, by Duct)
6	Power Source Wiring Hole (ø62 Knockout Hole)
7	Emergency Drain Connection (FPT 1/2")
8	Cooling Water Outlet (FPT 2")
9	Cooling Water Inlet (FPT 2")
10	Drain Connection (FPT 1")
11	Piping Connection Hole for Optional Humidifier (ø42 Knockout Hole)
12	Wiring Connection Hole for Optional Humidifier (ø42 Knockout Hole)
13	Fresh Air Inlet (Both Sides by Duct, Field Option)
14	Connection Hole for Optional Heater (ø80 Knockout Hole)
15	Air Inlet (Rear, by Duct, Field Option)

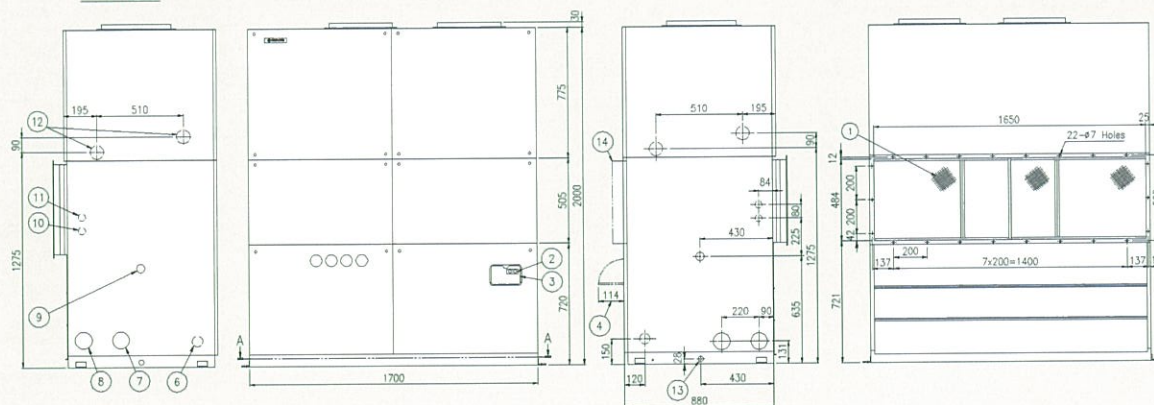
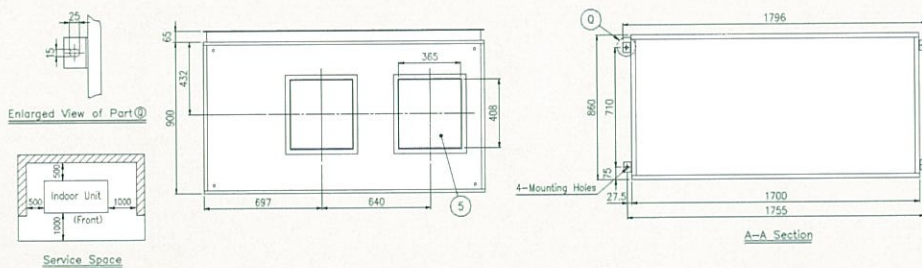
DUCT-CONNECTION TYPE (風管型)

RP-20WL5



Mark	Name
1	Air Inlet (Front)
2	Pilot Lamp
3	Control Panel Cover
4	Length for Opening Control Panel Cover
5	Air Outlet (Upper, by Duct)
6	Power Source Wiring Hole (ø62 Knockout Hole)
7	Emergency Drain Connection (FPT 1/2")
8	Cooling Water Outlet (FPT 2")
9	Cooling Water Inlet (FPT 2")
10	Drain Connection (FPT 1")
11	Piping Connection Hole for Optional Humidifier (ø42 Knockout Hole)
12	Wiring Connection Hole for Optional Humidifier (ø42 Knockout Hole)
13	Fresh Air Inlet (Both Sides by Duct, Field Option)
14	Connection Hole for Optional Heater (ø80 Knockout Hole)
15	Air Inlet (Rear, by Duct, Field Option)

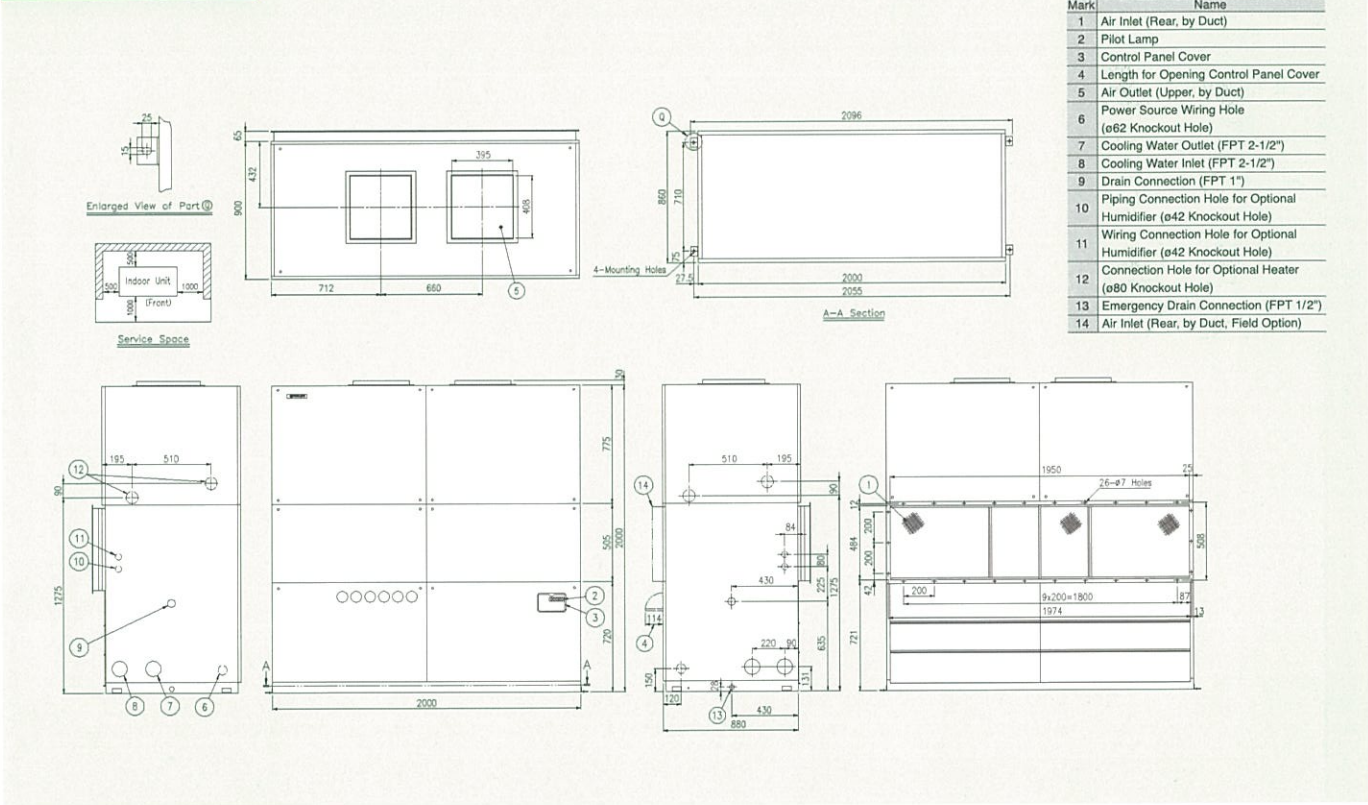
RP-25WL5



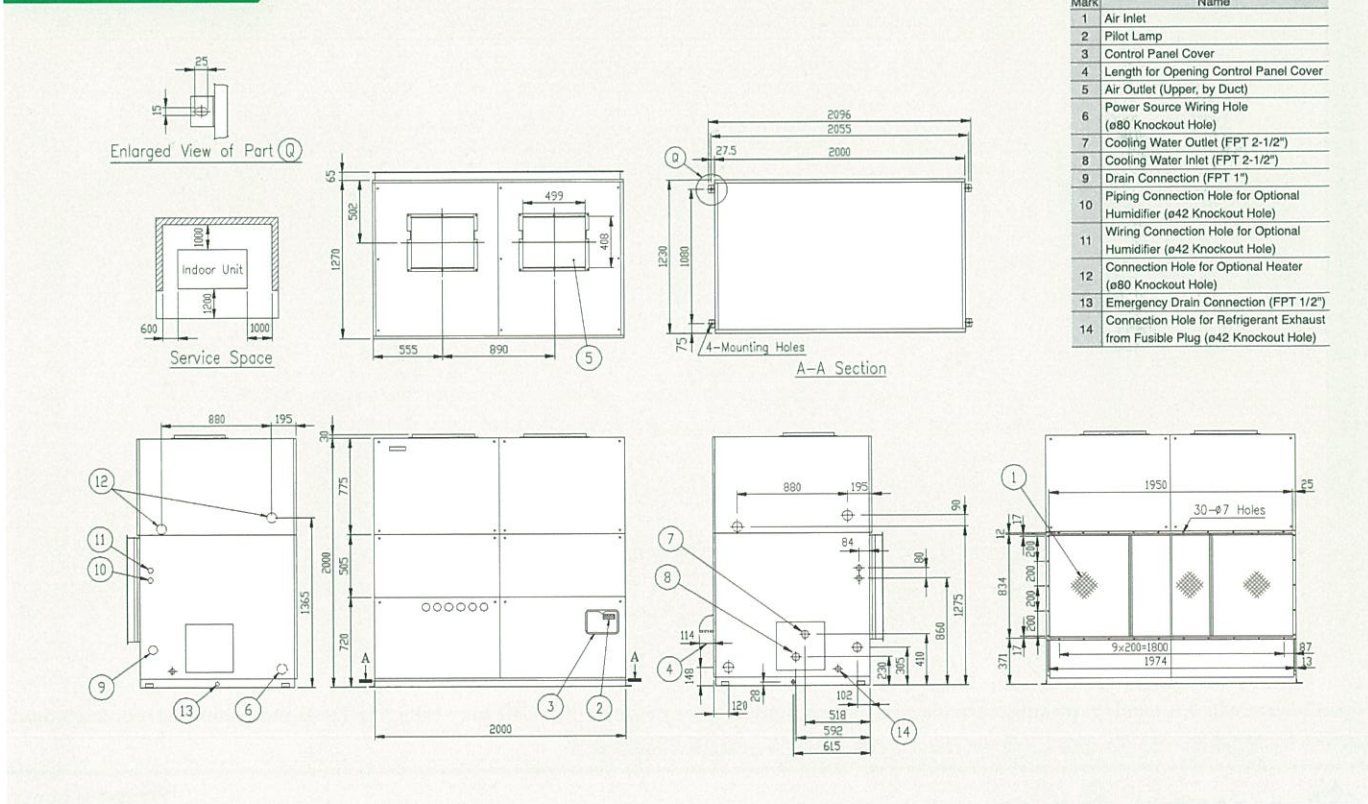
Mark	Name
1	Air Inlet (Rear, by Duct)
2	Pilot Lamp
3	Control Panel Cover
4	Length for Opening Control Panel Cover
5	Air Outlet (Upper, by Duct)
6	Power Source Wiring Hole (ø62 Knockout Hole)
7	Cooling Water Outlet (FPT 2-1/2")
8	Cooling Water Inlet (FPT 2-1/2")
9	Drain Connection (FPT 1")
10	Piping Connection Hole for Optional Humidifier (ø42 Knockout Hole)
11	Wiring Connection Hole for Optional Humidifier (ø42 Knockout Hole)
12	Connection Hole for Optional Heater (ø80 Knockout Hole)
13	Emergency Drain Connection (FPT 1/2")
14	Air Inlet (Rear, by Duct, Field Option)

DUCT-CONNECTION TYPE (风管型)

RP-30WL5



RP-40WL5





Specifications in this catalog are subject to change without notice, in order that HITACHI may bring the latest innovations to our customers.
本說明的內容隨時更改，恕不另行通知；此舉有助日立公司隨時把最新的科技創意帶來給客戶採用。



Printed in Taiwan

Catalog No. TW-PM-07